

EQUIPMENT REQUIRED:

Power Drill & Bits

**Sabre Saw or Kett Panel Saw
metal-cutting blades**

Level

Hacksaw or chop saw

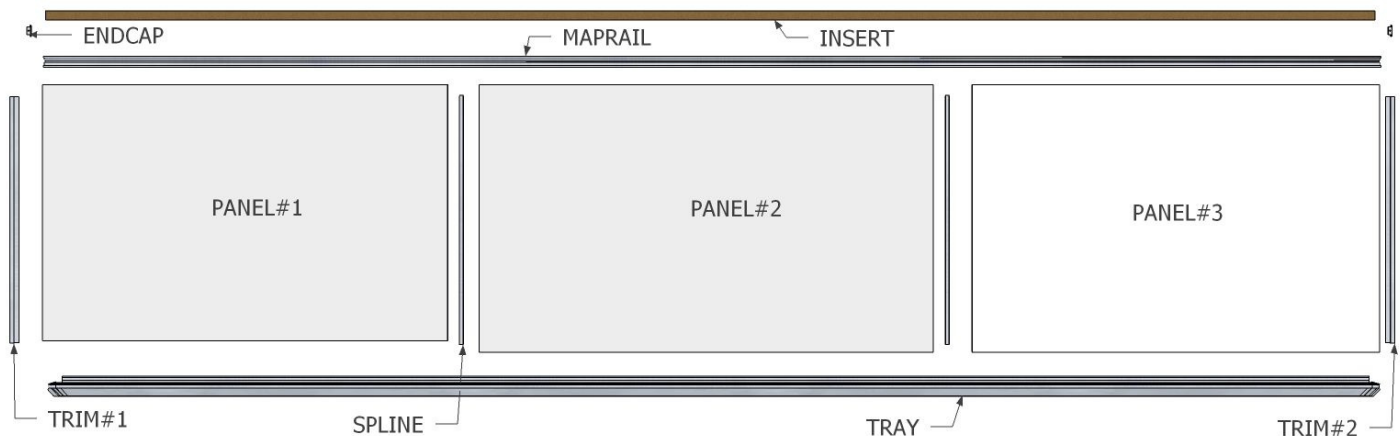
Drywall adhesive & Caulk Gun

Mounting Hardware:

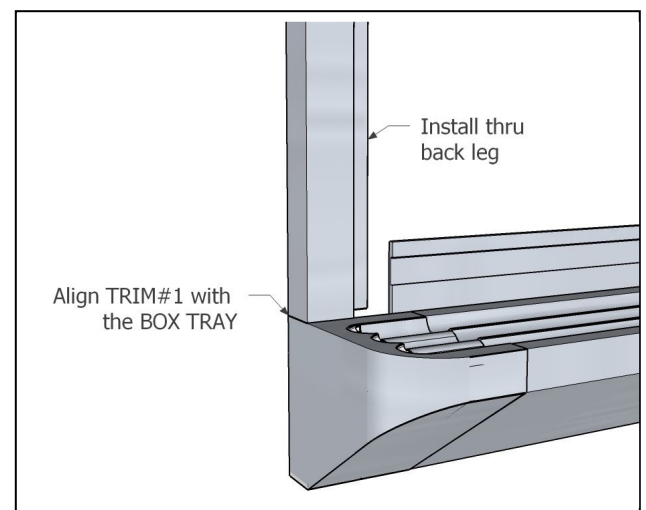
including flat-head fasteners

Verify sizes and quantity of units delivered prior to installation. Contact Educational Equipment with any discrepancies at 330-673-4881.

Hanging hardware is NOT included with each unit. It is the responsibility of the installer to furnish the required fasteners for each wall type.

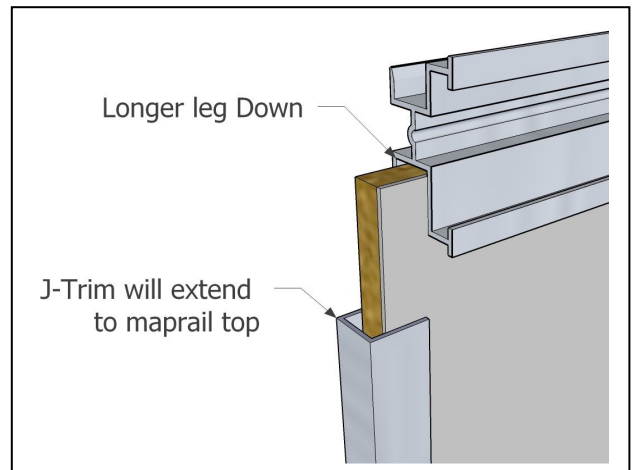


1. Lay out all pieces on floor & match up pieces into configuration. Re-check your order's installation measurements & trim sizes for each location.
2. Set the **TRAY** at the desired height as called out by the elevation drawings or standard tray height. Install using proper mounting hardware (Accordingly to your wall construction) at no more than two feet apart at wall stud center while using a level. **NOTE:** Flat-head fasteners must be flush to allow panels to pass over.
3. Place **TRIM#1** flush to the tray, level it & install it thru the back leg using proper wall anchors.
4. Apply commercial grade construction adhesive to the back of **PANEL#1** with caulking gun or two (2) golf ball size spots evenly spaced in height approximately 4' on center. Set **PANEL#1** into bottom **TRAY**. Slide panel into upright **TRIM#1** about 3/8".



5. Insert the **SPLINE** into the routed edge of **PANEL#1**. Apply adhesive to **PANEL#2** then insert it into the **TRAY** carefully as to not damage the porcelain edges. Slide **PANEL#2** up next to **PANEL#1** over the **SPLINE**. Used spacers under the panels inside the **TRAY** to raise or lower the panels to ensure a clean seam with **NO** gaps across it. It may make sense to use spacers under **PANEL#1** depending on the seam condition. Note: If a panel seam is damaged, both vertical edges are routed, so flip it over to use the other side. Repeat this step until all panels are in place and all seams are tight and clean.

6. Install the **MAPRAIL** by setting it into place over the panels. Be sure that the long leg is in the down position as shown to the right. Set the **TRIM#2** into place temporarily to properly align the **MAPRAIL**. Drill thru the center of the **MAPRAIL** on stud & install a screw (#8x1" minimum). Note: Make sure that the screw head does **NOT** stick up beyond the **MAPRAIL** face or the insert will have a bubble. Repeat at a maximum 30" apart.



7. Slide the cork **INSERT** fully into the **MAPRAIL**. Make sure that no screw heads cause a bubble in the **INSERT**. Cut the cork flush to the end of the **MAPRAIL**. Attach **ENDCAPS** to each end of the cork.

8. Attach **TRIM#2** by applying construction adhesive liberally to the inside & back of **TRIM#2** and slide it into place to complete the installation.

9. Inspect the marker board writing surface for protective clear plastic & remove if present. Clean the marker board prior to use using an ammonia-added cleaner such as Eco Clean Spray Cleaner.

