

***EQUIPMENT REQUIRED:***

**#2 Philips Head Screwdriver**  
**Chalk Line**

**Level**  
**Power Drill & Bits**

**Wall Mounting Hardware**  
**(drywall hardware included)**

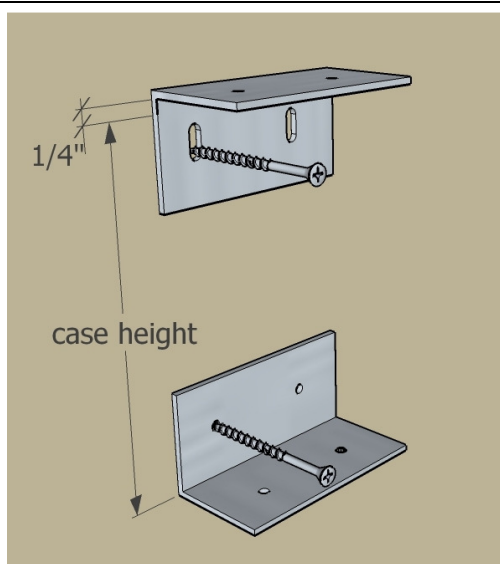


Figure 1.



1. If the unit is to be installed "hung on the wall", then plan for one mounting clip installed on every stud available. Measure the case height & width. Attach the lower mounting Brackets (non-slotted angle brackets) LEVEL at desired elevation using chalk line & level or laser level. (Be sure to use the proper mounting equipment for your wall composition to adequately secure the unit) Attach the upper mounting Brackets (slotted angle brackets) at  $\frac{1}{4}$ " higher than the case height thru the lower part of the slots.(See Figure 1)
2. Use an adequate number of people to lift the unit onto hanging clips. Adjust to desired position and drill thru clip holes and housing with appropriate drill bit. Install screws flush but DO NOT over-tighten.
3. Install shelving & sliding glass doors carefully.
4. Clean the unit & the area to complete the installation.